

CONTROL DISCHARGE DEVICE **BRI**



Discharge rheostat is designed for the controlled discharging of chemical battery with a direct current, predetermined current.

Setting of process parameters takes place using 3-button keypad and graphic LCD display located on the front panel and remotely, via RS485 or USB. Discharge is carried out until the battery voltage reaches a set, minimum level or when the time expires of discharging.

The device enables remote setting of parameters and data reading using the communication protocols APS6000 (internal protocol of APS Energia) and Modbus RTU.

It is possible to connect resistances in order to multiply the maximum discharge current. Process is fully automatic.

Characteristics

Automatic end of the discharge process after reaching the selected parameters;

Parallel running;

Remote control the operation (APS6000 and Modbus RTU);

Small dimensions and weight;

Designed with wheels for easy transport;

Low pulsations and low level of harmonics of current drawn from the battery;
Displaying and archiving parameters of discharging;



ELECTRICAL PARAMETERS

NO.	PARAMETER	SYMBOL	UNIT	VALUE
1	Nominal input voltage	U_{BAT}	V	12..400
2	Maximum voltage	U_{MAX}	V	450
3	Minimum voltage	U_{MIN}	V	9
4	Rated discharge current	I_{ZN}	A	50
6	Maximum power lost	P_{ZN}	W	12000
7	Maximum discharging current	I_{ROZ}	A	$\text{If } P > P_{ZN} \\ I_{ROZ} = \frac{P_{ZN}}{U_{BAT}}$ $\text{If } P < P_{ZN} \\ I_{ROZ} = I_{ZN}$
8	Stabilization of discharge current	-	%	<1
9	Ripple current of discharging	-	%	<3
10	Rated voltage of auxiliary power supply	U_z	VAC	230
11	Nominal frequency of the auxiliary power supply	f_z	Hz	50

PARAMETERS OF PARALLEL OPERATION

NO.	PARAMETER	UNIT	VALUE
1	Number of devices running in parallel	pcs	maximum 6
2	Maximum discharge current in parallel running mode	A	$I_{DIS} * \text{number of operating devices}$

HOUSING PARAMETERS

NO.	PARAMETER	UNIT	VALUE
1	Degree of housing protection (PN-EN 60529:2003)	IP	10
2	Dimensions	HxWxD	317x420x696
3	Color	RAL	7035
4	Weight	kg	26

ENVIRONMENTAL PARAMETERS

NO.	PARAMETER	UNIT	VALUE
1	The ambient temperature (EN 50178)	°C	0..40
2	Storage temperature (EN 50178)	°C	-40..55
3	Humidity (no condensation)	%	80 (max)
4	Maximum operating altitude above sea level	m	1000

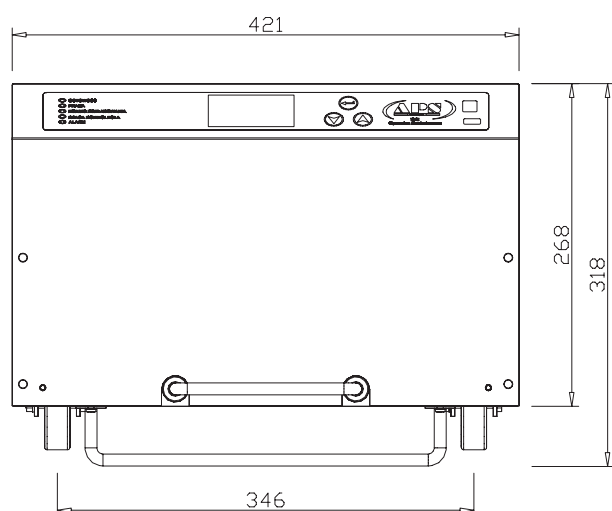
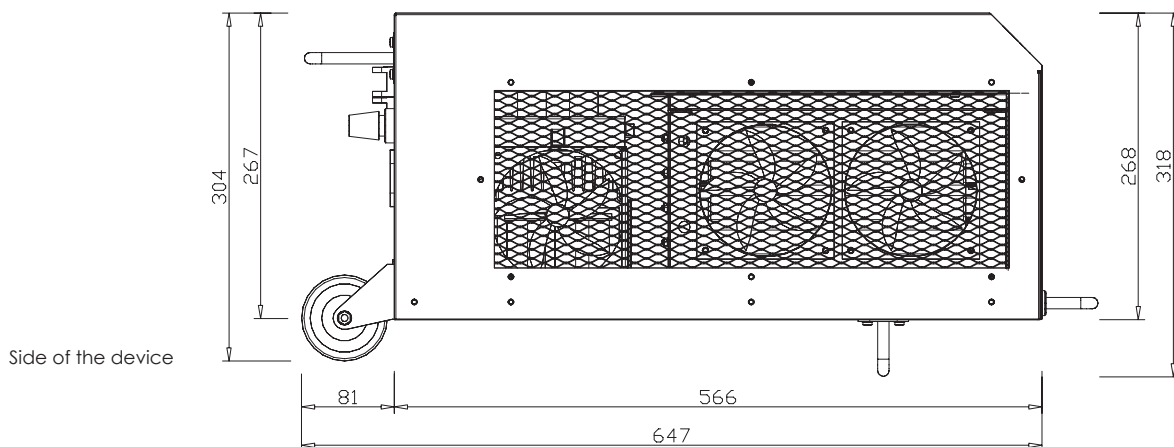


FIG. HOUSING OF DEVICE

Front of the device



Side of the device

The manufacturer reserves the right to change parameters of the devices. Other types and solutions can be delivered on request.

